



Fast and easy installation

Flexible and energy efficient hardware

No limit to the amount of sensors that can be used

Web interface to view, control or manage EnOcean devices

Update Capability for future EnOcean products

Monitor or Publish your data to the cloud easily by using the provided too Node-Red (Azure, PubNub and more)

IoT development kit for Intelligent Buildings

An IP-Gateway that translates EnOcean Radio Communication (Energy Harvesting Wireless Technology) into different IP-worlds. With multiple client connections possible, this device supports standard EnOcean profiles as well as manufacture specific profiles.

- Simple API, string based (tcp) and powerful API REST/JSON based (http).
- Fully open bidirectional REST/JSON API with device administration for a seamless integration in any existing ecosystem.
- Out of the box integration with the IBM Watson and TRIRIGA/ Presence Insights

Key Device Specifications	
Device Dimensions (H x W x D)	41mm x 72mm x 109mm
Device Weight	285g
Power Consumption	3.0W (Maximum)

### Delivery Contents:

- Axiomatic EnOcean Gateway
- Antenna
- Wall mount
- Power Supply (230 V AC, 5 V DC, 2 A)
- DINrail adapter

### Out of the Box:

- Node RED-Connector
- IBM-Watson-Connector

[www.peoplecounting.co.uk](http://www.peoplecounting.co.uk)

+44 (0) 115 875 7508

[Sales@peoplecounting.co.uk](mailto:Sales@peoplecounting.co.uk)

www.peoplecounting.co.uk

+44 (0) 115 875 7508

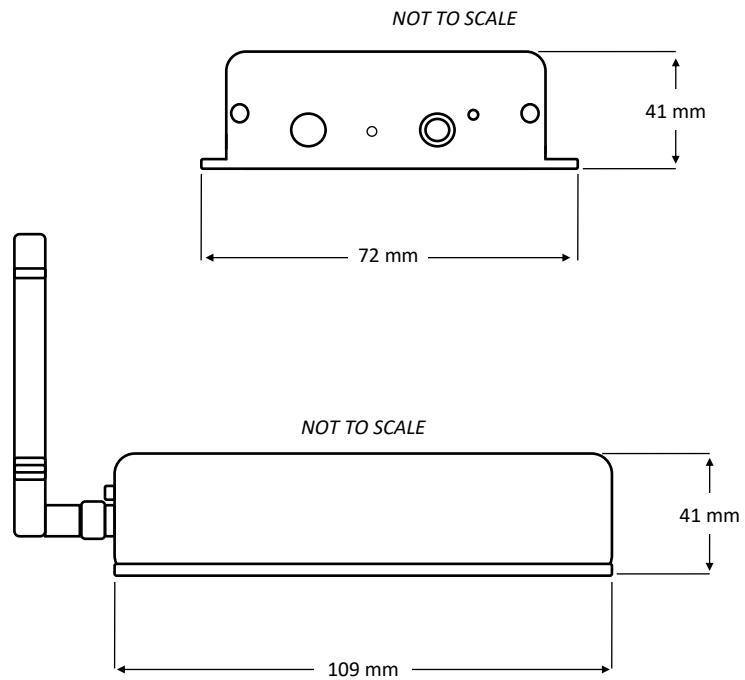
Sales@peoplecounting.co.uk

Graphic House

Noel Street

Kimberley, Nottingham

NG16 2NE (UK)



No limit to the number of sensors that can communicate with a gateway



Maximum unobstructed range of 40m, or 20m with obstacles.